

## ST-800 / 801

- ➡ VÁLVULA DE ESFERA - 3 VIAS - ANSI / DIN
- ➡ ACIONADA POR ALAVANCA, REDUTOR MANUAL, ELÉTRICO OU ATUADOR PNEUMÁTICO



VÁLVULAS INDUSTRIAIS

### ANSI 150

VENTURI	PLENA											ALAVANCA		REDUTOR MANUAL		
		DN	DN	LW	øD	b	K	d X N	G	f	L	L1	H	Q	H1	øW
3/4"	1/2"	15.0	88.9	11.1	60.5	15.9 x 4	35.0	1.6	150.0	75.0	134.0	180.0	-*-	-*-	-*-	
1"	3/4"	20.0	98.6	12.7	69.9	15.9 x 4	42.9	1.6	165.0	82.5	134.0	180.0	-*-	-*-	-*-	
1.1/4"	1"	25.0	108.0	14.3	79.2	15.9 x 4	50.8	1.6	200.0	100.0	136.0	250.0	-*-	-*-	-*-	
1.1/2"	1.1/4"	32.0	117.4	15.9	88.9	15.9 x 4	63.5	1.6	200.0	100.0	142.0	250.0	-*-	-*-	-*-	
2"	1.1/2"	40.0	127.0	17.5	98.6	15.9 x 4	73.2	1.6	210.0	105.0	165.0	250.0	-*-	-*-	-*-	
2.1/2"	2"	50.0	152.4	19.0	120.7	19.1 x 4	92.1	1.6	245.0	122.5	178.0	300.0	-*-	-*-	-*-	
3"	2.1/2"	65.0	177.8	22.2	139.7	19.1 x 4	104.7	1.6	275.0	137.5	226.0	400.0	-*-	-*-	-*-	
4"	3"	80.0	190.5	23.8	152.4	19.1 x 4	127.0	1.6	400.0	200.0	235.0	400.0	-*-	-*-	-*-	
6"	4"	100.0	228.6	23.8	190.5	19.1 x 8	157.2	1.6	450.0	225.0	244.0	850.0	222.5	170.0	197.0	
8"	6"	150.0	279.4	25.4	241.3	22.2 x 8	215.9	1.6	550.0	275.0	280.0	930.0	326.0	250.0	210.0	
10"	8"	202.0	342.9	28.6	298.5	22.2 x 8	269.7	1.6	700.0	350.0	-*-	-*-	405.0	350.0	210.0	
-*-	10"	252.0	406.4	30.2	361.9	25.4 x 12	323.8	1.6	780.0	390.0	-*-	-*-	520.0	350.0	220.0	
-*-	12"	305.0	482.6	31.8	431.8	25.4 x 12	381.0	1.6	840.0	420.0	-*-	-*-	535.0	450.0	320.0	
-*-	14"	340.0	533.4	34.9	476.3	28.6 x 12	412.7	1.6	900.0	450.0	-*-	-*-	573.0	450.0	320.0	
-*-	16"	387.0	596.9	36.5	546.1	28.6 x 16	469.9	1.6	1000.0	500.0	-*-	-*-	595.0	450.0	320.0	

### ANSI 300

DN	øD	b	K	d X N	G	f	L	L1	ALAVANCA		REDUTOR MANUAL		
									H	Q	H1	øW	M
1/2"	95.3	14.2	66.7	15.9 x 4	35.0	1.6	150.0	75.0	134.0	180.0	-*-	-*-	-*-
3/4"	117.3	15.7	82.6	19.1 x 4	42.9	1.6	170.0	85.0	134.0	180.0	-*-	-*-	-*-
1"	124.0	17.5	88.9	19.1 x 4	50.8	1.6	220.0	110.0	136.0	250.0	-*-	-*-	-*-
1.1/4"	133.4	19.1	98.4	19.1 x 4	63.5	1.6	220.0	110.0	142.0	250.0	-*-	-*-	-*-
1.1/2"	155.6	20.6	114.3	22.2 x 4	73.2	1.6	220.0	110.0	165.0	250.0	-*-	-*-	-*-
2"	165.1	22.2	127.0	19.1 x 8	92.1	1.6	260.0	130.0	178.0	300.0	-*-	-*-	-*-
2.1/2"	190.5	25.4	149.2	22.2 x 8	104.7	1.6	300.0	150.0	226.0	400.0	-*-	-*-	-*-
3"	209.6	28.6	168.1	22.2 x 8	127.0	1.6	400.0	200.0	235.0	400.0	-*-	-*-	-*-
4"	254.0	31.8	200.0	22.2 x 8	157.2	1.6	500.0	250.0	244.0	850.0	222.5	170.0	197.0
6"	317.5	36.6	269.7	22.2 x 12	215.9	1.6	600.0	300.0	280.0	930.0	326.0	250.0	210.0
8"	381.0	41.3	330.2	25.4 x 12	269.7	1.6	740.0	370.0	-*-	-*-	405.0	350.0	210.0
10"	444.5	47.6	387.4	28.4 x 16	323.8	1.6	820.0	410.0	-*-	-*-	520.0	350.0	220.0
12"	520.7	50.8	450.9	31.8 x 16	381.0	1.6	860.0	430.0	-*-	-*-	535.0	450.0	320.0
14"	584.2	54.0	514.4	31.8 x 20	412.7	1.6	940.0	470.0	-*-	-*-	573.0	450.0	320.0
16"	647.7	57.2	571.5	34.9 x 20	469.9	1.6	1050.0	525.0	-*-	-*-	595.0	450.0	320.0

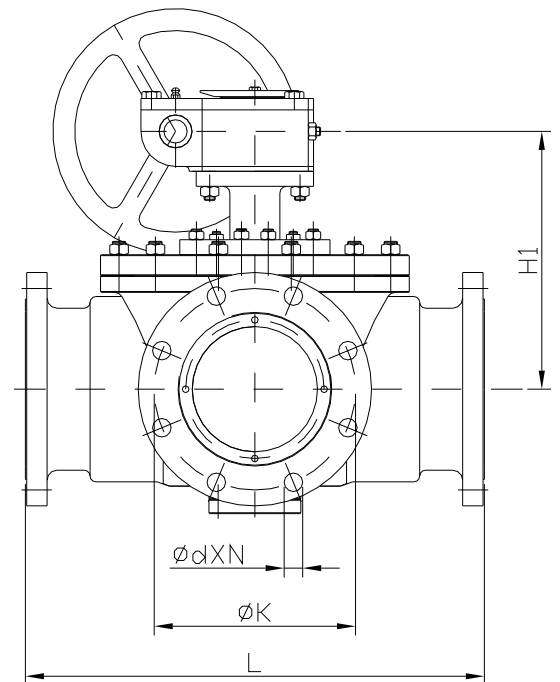
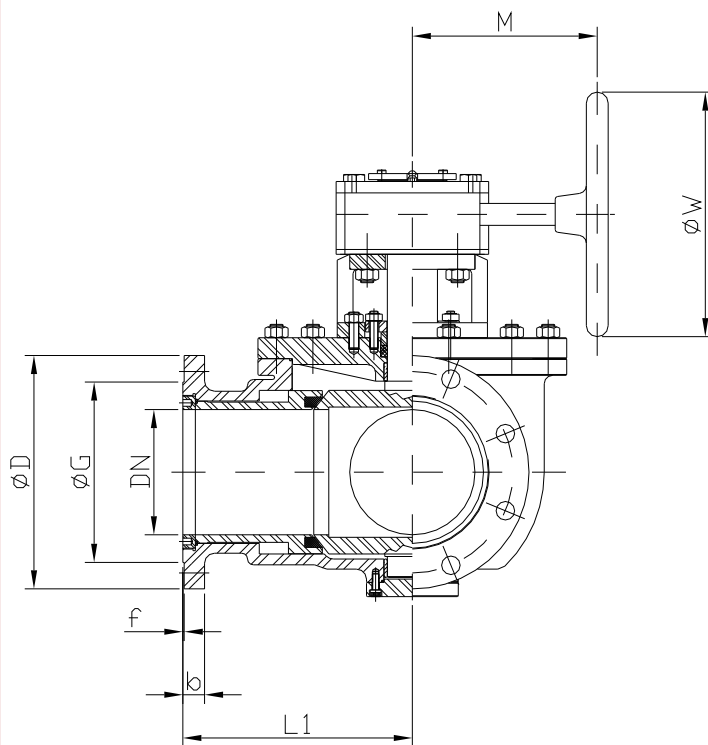
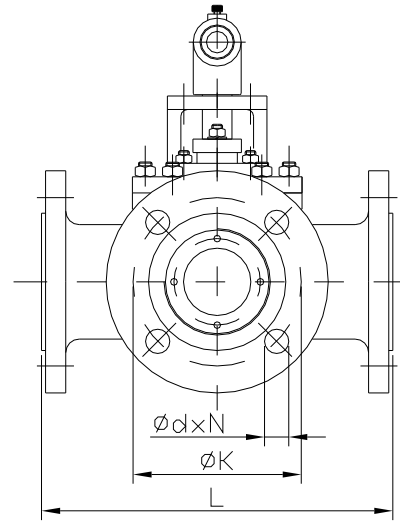
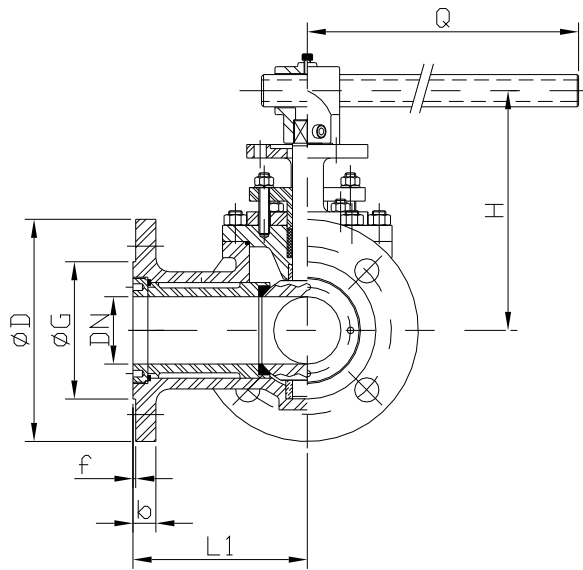
### DIN PN-16

DN	øD	b	K	d X N	G	f	L	L1	ALAVANCA		REDUTOR MANUAL		
									H	Q	H1	øW	M
15.0													
20.0													
25.0													
30.0													
40.0													
50.0													
65.0	185.0	18.0	145.0	18.0 x 4	122.0	3.0	275.0	137.5	226.0	400.0	-*-	-*-	-*-
80.0	200.0	20.0	160.0	18.0 x 8	138.0	3.0	400.0	200.0	235.0	400.0	-*-	-*-	-*-
100.0	220.0	20.0	180.0	18.0 x 8	158.0	3.0	450.0	225.0	244.0	850.0	222.5	170.0	197.0
150.0	285.0	22.0	240.0	23.0 x 8	212.0	3.0	550.0	275.0	280.0	930.0	326.0	250.0	210.0
200.0	340.0	24.0	295.0	23.0 x 12	268.0	3.0	700.0	350.0	-*-	-*-	405.0	350.0	210.0
250.0	405.0	26.0	355.0	27.0 x 12	320.0	3.0	780.0	390.0	-*-	-*-	520.0	350.0	220.0

**CONFORME DIN PN-40**

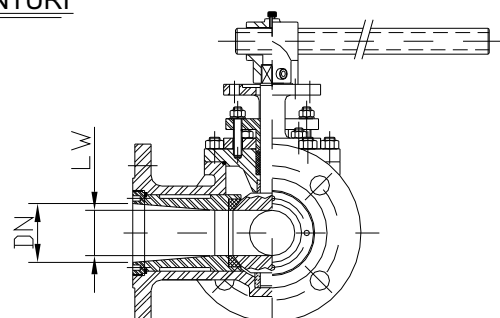
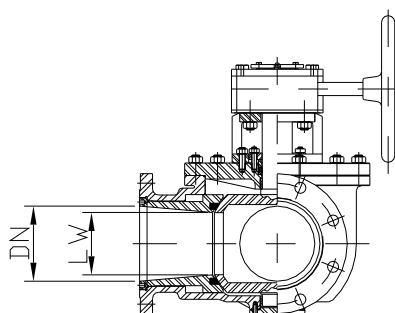
### DIN PN-40

DN	øD	b	K	d X N	G	f	L	L1	ALAVANCA		REDUTOR MANUAL		
									H	Q	H1	øW	M
15.0	95.0	16.0	65.0	14.0 x 4	45.0	3.0	150.0	75.0	134.0	180.0	-*-	-*-	-*-
20.0	105.0	18.0	75.0	14.0 x 4	58.0	3.0	170.0	85.0	134.0	180.0	-*-	-*-	-*-
25.0	115.0	18.0	85.0	14.0 x 4	68.0	3.0	220.0	110.0	136.0	250.0	-*-	-*-	-*-
30.0	140.0	18.0	100.0	18.0 x 4	78.0	3.0	220.0	110.0	142.0	250.0	-*-	-*-	-*-
40.0	150.0	18.0	110.0	18.0 x 4	88.0	3.0	220.0	110.0	165.0	250.0	-*-	-*-	-*-
50.0	165.0	20.0	125.0	18.0 x 4	102.0	3.0	260.0	130.0	178.0	300.0	-*-	-*-	-*-
65.0	185.0	22.0	145.0	18.0 x 8	122.0	3.0	300.0	150.0	226.0	400.0	-*-	-*-	-*-
80.0	200.0	24.0	160.0	18.0 x 8	138.0	3.0	400.0	200.0	235.0	400.0	-*-	-*-	-*-
100.0	235.0	24.0	190.0	23.0 x 8	162.0	3.0	500.0	250.0	244.0	850.0	222.5	170.0	197.0
150.0	300.0	28.0	250.0	27.0 x 8	218.0	3.0	600.0	300.0	280.0	930.0	326.0	250.0	210.0
200.0	375.0	34.0	320.0	30.0 x 12	285.0	3.0	740.0	370.0	-*-	-*-	405.0	350.0	210.0
250.0	450.0	38.0	385.0	33.0 x 12	345.0	3.0	820.0	410.0	-*-	-*-	520.0	350.0	220.0



VÁLVULA TIPO "VENTURI"

ST-801



Válvula de esfera 3 vias trunnion, com esfera e haste em peça única, corpo monobloco e base de acoplamento ISO 5211 para atuadores manuais, pneumáticos ou eletro-pneumáticos.

A esfera poderá ser com passagem em "L" ou "T".

Materiais de construção conforme tabela abaixo, outros materiais sob consulta.

LEGENDA	MATERIAIS																	
	FERRO NODULAR	ASTM-A 216 WCB	ASTM-A 351 CF8	ASTM-A 351 CF8M	ASTM-A 351 CF3	ASTM-A 351 CF3M	ASTM-A 351 CA15	PTFE (PURO)	PTFE+ FRAFITE	PTFE+ BRONZE	PTFE+ CARB GRAFITE	PTFE+ FIBRA DE VIDRO	PTFE+ FIBRA VIDRO+ GRAFITE	GRAFOIL	SAE 1020	AISI 304	AISI 316	OUTROS MATERIAIS
<input type="checkbox"/> PADRÃO																		
<input type="checkbox"/> SOB ENCOMENDA																		
CORPO	<input type="checkbox"/>	<input type="checkbox"/>	<input type="checkbox"/>	<input type="checkbox"/>	<input type="checkbox"/>	<input type="checkbox"/>	<input type="checkbox"/>	<input type="checkbox"/>	<input type="checkbox"/>	<input type="checkbox"/>	<input type="checkbox"/>	<input type="checkbox"/>	<input type="checkbox"/>	<input type="checkbox"/>	<input type="checkbox"/>	<input type="checkbox"/>	<input type="checkbox"/>	<input type="checkbox"/>
TAMPA	<input type="checkbox"/>	<input type="checkbox"/>	<input type="checkbox"/>	<input type="checkbox"/>	<input type="checkbox"/>	<input type="checkbox"/>	<input type="checkbox"/>	<input type="checkbox"/>	<input type="checkbox"/>	<input type="checkbox"/>	<input type="checkbox"/>	<input type="checkbox"/>	<input type="checkbox"/>	<input type="checkbox"/>	<input type="checkbox"/>	<input type="checkbox"/>	<input type="checkbox"/>	<input type="checkbox"/>
ESFERA/ HASTE	<input type="checkbox"/>	<input type="checkbox"/>	<input type="checkbox"/>	<input type="checkbox"/>	<input type="checkbox"/>	<input type="checkbox"/>	<input type="checkbox"/>	<input type="checkbox"/>	<input type="checkbox"/>	<input type="checkbox"/>	<input type="checkbox"/>	<input type="checkbox"/>	<input type="checkbox"/>	<input type="checkbox"/>	<input type="checkbox"/>	<input type="checkbox"/>	<input type="checkbox"/>	<input type="checkbox"/>
NIPLÉ	<input type="checkbox"/>	<input type="checkbox"/>	<input type="checkbox"/>	<input type="checkbox"/>	<input type="checkbox"/>	<input type="checkbox"/>	<input type="checkbox"/>	<input type="checkbox"/>	<input type="checkbox"/>	<input type="checkbox"/>	<input type="checkbox"/>	<input type="checkbox"/>	<input type="checkbox"/>	<input type="checkbox"/>	<input type="checkbox"/>	<input type="checkbox"/>	<input type="checkbox"/>	<input type="checkbox"/>
ANEL DE REGULAGEM	<input type="checkbox"/>	<input type="checkbox"/>	<input type="checkbox"/>	<input type="checkbox"/>	<input type="checkbox"/>	<input type="checkbox"/>	<input type="checkbox"/>	<input type="checkbox"/>	<input type="checkbox"/>	<input type="checkbox"/>	<input type="checkbox"/>	<input type="checkbox"/>	<input type="checkbox"/>	<input type="checkbox"/>	<input type="checkbox"/>	<input type="checkbox"/>	<input type="checkbox"/>	<input type="checkbox"/>
PREME GAXETA	<input type="checkbox"/>	<input type="checkbox"/>	<input type="checkbox"/>	<input type="checkbox"/>	<input type="checkbox"/>	<input type="checkbox"/>	<input type="checkbox"/>	<input type="checkbox"/>	<input type="checkbox"/>	<input type="checkbox"/>	<input type="checkbox"/>	<input type="checkbox"/>	<input type="checkbox"/>	<input type="checkbox"/>	<input type="checkbox"/>	<input type="checkbox"/>	<input type="checkbox"/>	<input type="checkbox"/>
LANTERNA	<input type="checkbox"/>	<input type="checkbox"/>	<input type="checkbox"/>	<input type="checkbox"/>	<input type="checkbox"/>	<input type="checkbox"/>	<input type="checkbox"/>	<input type="checkbox"/>	<input type="checkbox"/>	<input type="checkbox"/>	<input type="checkbox"/>	<input type="checkbox"/>	<input type="checkbox"/>	<input type="checkbox"/>	<input type="checkbox"/>	<input type="checkbox"/>	<input type="checkbox"/>	<input type="checkbox"/>
SEDE DA ESFERA	<input type="checkbox"/>	<input type="checkbox"/>	<input type="checkbox"/>	<input type="checkbox"/>	<input type="checkbox"/>	<input type="checkbox"/>	<input type="checkbox"/>	<input type="checkbox"/>	<input type="checkbox"/>	<input type="checkbox"/>	<input type="checkbox"/>	<input type="checkbox"/>	<input type="checkbox"/>	<input type="checkbox"/>	<input type="checkbox"/>	<input type="checkbox"/>	<input type="checkbox"/>	<input type="checkbox"/>
GAXETA	<input type="checkbox"/>	<input type="checkbox"/>	<input type="checkbox"/>	<input type="checkbox"/>	<input type="checkbox"/>	<input type="checkbox"/>	<input type="checkbox"/>	<input type="checkbox"/>	<input type="checkbox"/>	<input type="checkbox"/>	<input type="checkbox"/>	<input type="checkbox"/>	<input type="checkbox"/>	<input type="checkbox"/>	<input type="checkbox"/>	<input type="checkbox"/>	<input type="checkbox"/>	<input type="checkbox"/>
VEDAÇÃO DO CORPO	<input type="checkbox"/>	<input type="checkbox"/>	<input type="checkbox"/>	<input type="checkbox"/>	<input type="checkbox"/>	<input type="checkbox"/>	<input type="checkbox"/>	<input type="checkbox"/>	<input type="checkbox"/>	<input type="checkbox"/>	<input type="checkbox"/>	<input type="checkbox"/>	<input type="checkbox"/>	<input type="checkbox"/>	<input type="checkbox"/>	<input type="checkbox"/>	<input type="checkbox"/>	<input type="checkbox"/>
ALAVANCA	<input type="checkbox"/>	<input type="checkbox"/>	<input type="checkbox"/>	<input type="checkbox"/>	<input type="checkbox"/>	<input type="checkbox"/>	<input type="checkbox"/>	<input type="checkbox"/>	<input type="checkbox"/>	<input type="checkbox"/>	<input type="checkbox"/>	<input type="checkbox"/>	<input type="checkbox"/>	<input type="checkbox"/>	<input type="checkbox"/>	<input type="checkbox"/>	<input type="checkbox"/>	<input type="checkbox"/>
PRISIONEIRO TIPO ESTOJO	<input type="checkbox"/>	<input type="checkbox"/>	<input type="checkbox"/>	<input type="checkbox"/>	<input type="checkbox"/>	<input type="checkbox"/>	<input type="checkbox"/>	<input type="checkbox"/>	<input type="checkbox"/>	<input type="checkbox"/>	<input type="checkbox"/>	<input type="checkbox"/>	<input type="checkbox"/>	<input type="checkbox"/>	<input type="checkbox"/>	<input type="checkbox"/>	<input type="checkbox"/>	<input type="checkbox"/>

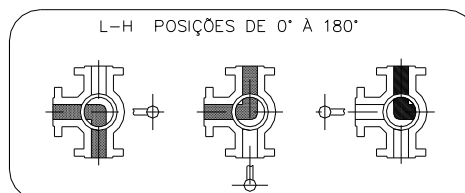
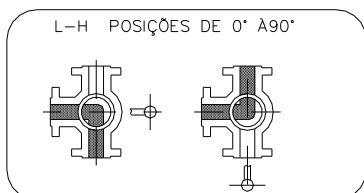
**NORMAS DE CONSTRUÇÃO:**

Face a face  
- Conforme Tabelas.

Extremidades:  
- ANSI B 16.5  
- DIN EN 1092

Construção:  
- ANSI B 16.34

**VÁLVULA DE ESFERA 3 VIAS "L" HORIZONTAL**



**VÁLVULA DE ESFERA 3 VIAS "T" HORIZONTAL**

