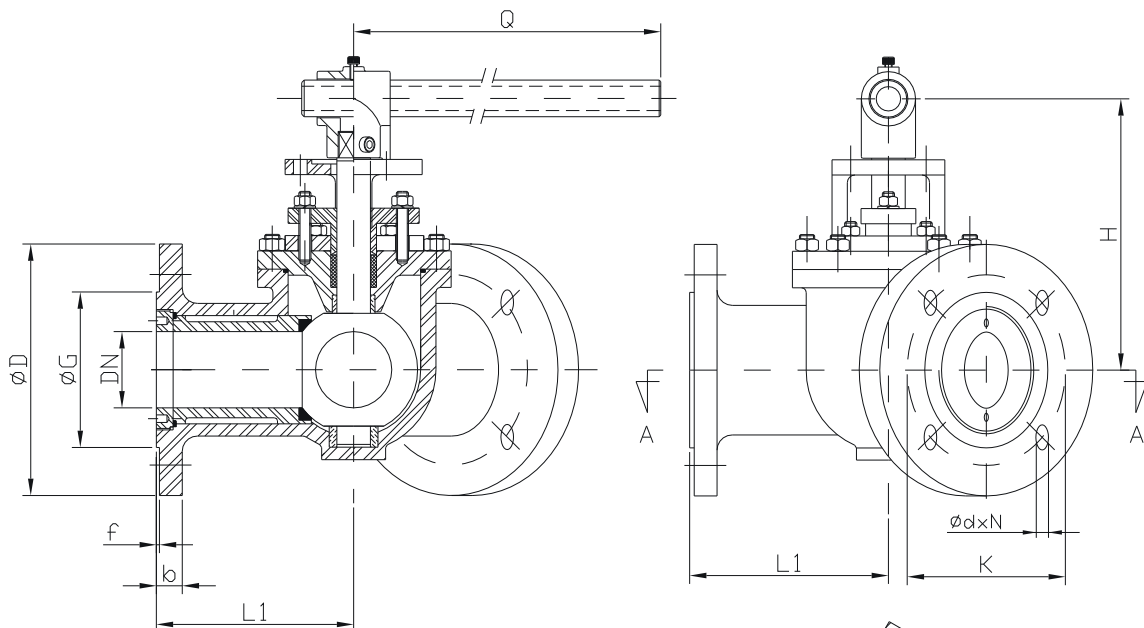


## ST-802

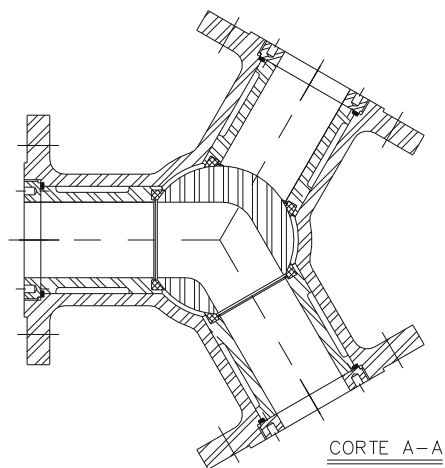
- ➡ VÁLVULA DE ESFERA - 3 VIAS "Y" - ANSI / DIN
- ➡ ACIONADA POR ALAVANCA, REDUTOR MANUAL, ELÉTRICO OU ATUADOR PNEUMÁTICO



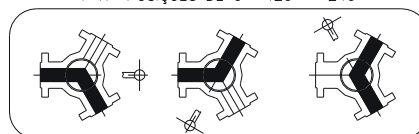
VÁLVULAS INDUSTRIAIS



| LEGENDA                  |        |               |                |                |                 |                |                 |                 |             |               |              |                    |                      |                            |         |          |          |          |                  |  |
|--------------------------|--------|---------------|----------------|----------------|-----------------|----------------|-----------------|-----------------|-------------|---------------|--------------|--------------------|----------------------|----------------------------|---------|----------|----------|----------|------------------|--|
| <input type="checkbox"/> | PADRÃO | FERRO NODULAR | ASTM-A 216 WCB | ASTM-A 351 CF8 | ASTM-A 351 CF8M | ASTM-A 351 CF3 | ASTM-A 351 CF3M | ASTM-A 351 CA15 | PTFE (PURO) | PTFE+ FRAFITE | PTFE+ BRONZE | PTFE+ CARB GRAFITE | PTFE+ FIBRA DE VIDRO | PTFE+ FIBRA VIDRO+ GRAFITE | GRAFOIL | SAE 1020 | AISI 304 | AISI 316 | OUTROS MATERIAIS |  |
| <input type="checkbox"/> |        |               |                |                |                 |                |                 |                 |             |               |              |                    |                      |                            |         |          |          |          |                  |  |
| <input type="checkbox"/> |        |               |                |                |                 |                |                 |                 |             |               |              |                    |                      |                            |         |          |          |          |                  |  |
| <input type="checkbox"/> |        |               |                |                |                 |                |                 |                 |             |               |              |                    |                      |                            |         |          |          |          |                  |  |
| <input type="checkbox"/> |        |               |                |                |                 |                |                 |                 |             |               |              |                    |                      |                            |         |          |          |          |                  |  |
| <input type="checkbox"/> |        |               |                |                |                 |                |                 |                 |             |               |              |                    |                      |                            |         |          |          |          |                  |  |
| <input type="checkbox"/> |        |               |                |                |                 |                |                 |                 |             |               |              |                    |                      |                            |         |          |          |          |                  |  |
| <input type="checkbox"/> |        |               |                |                |                 |                |                 |                 |             |               |              |                    |                      |                            |         |          |          |          |                  |  |
| <input type="checkbox"/> |        |               |                |                |                 |                |                 |                 |             |               |              |                    |                      |                            |         |          |          |          |                  |  |
| <input type="checkbox"/> |        |               |                |                |                 |                |                 |                 |             |               |              |                    |                      |                            |         |          |          |          |                  |  |
| <input type="checkbox"/> |        |               |                |                |                 |                |                 |                 |             |               |              |                    |                      |                            |         |          |          |          |                  |  |
| <input type="checkbox"/> |        |               |                |                |                 |                |                 |                 |             |               |              |                    |                      |                            |         |          |          |          |                  |  |
| <input type="checkbox"/> |        |               |                |                |                 |                |                 |                 |             |               |              |                    |                      |                            |         |          |          |          |                  |  |
| <input type="checkbox"/> |        |               |                |                |                 |                |                 |                 |             |               |              |                    |                      |                            |         |          |          |          |                  |  |
| <input type="checkbox"/> |        |               |                |                |                 |                |                 |                 |             |               |              |                    |                      |                            |         |          |          |          |                  |  |
| <input type="checkbox"/> |        |               |                |                |                 |                |                 |                 |             |               |              |                    |                      |                            |         |          |          |          |                  |  |
| <input type="checkbox"/> |        |               |                |                |                 |                |                 |                 |             |               |              |                    |                      |                            |         |          |          |          |                  |  |
| <input type="checkbox"/> |        |               |                |                |                 |                |                 |                 |             |               |              |                    |                      |                            |         |          |          |          |                  |  |
| <input type="checkbox"/> |        |               |                |                |                 |                |                 |                 |             |               |              |                    |                      |                            |         |          |          |          |                  |  |
| <input type="checkbox"/> |        |               |                |                |                 |                |                 |                 |             |               |              |                    |                      |                            |         |          |          |          |                  |  |



Y-H POSIÇÕES DE 0° - 120° - 240°



Extremidades: ANSI B 16.5  
Construção: ANSI B 16.34

### ANSI 150

| DN | LW    | ØD    | b    | K     | d X N    | G     | f   | L1    | H     | Q     |
|----|-------|-------|------|-------|----------|-------|-----|-------|-------|-------|
| 2" | 50.0  | 152.4 | 19.0 | 120.7 | 19.1 x 4 | 92.1  | 1.6 | 122.5 | 178.0 | 300.0 |
| 3" | 80.0  | 190.5 | 23.8 | 152.4 | 19.1 x 4 | 127.0 | 1.6 | 200.0 | 235.0 | 400.0 |
| 4" | 100.0 | 228.6 | 23.8 | 190.5 | 19.1 x 8 | 157.2 | 1.6 | 225.0 | 244.0 | 850.0 |
| 6" | 150.0 | 279.4 | 25.4 | 241.3 | 22.2 x 8 | 215.9 | 1.6 | 275.0 | 280.0 | 930.0 |

### ANSI 300

| DN | LW    | ØD    | b    | K     | d X N     | G     | f   | L1    | H     | Q     |
|----|-------|-------|------|-------|-----------|-------|-----|-------|-------|-------|
| 2" | 50.0  | 165.1 | 22.4 | 127.0 | 19.1 x 8  | 92.1  | 1.6 | 130.0 | 178.0 | 300.0 |
| 3" | 80.0  | 209.6 | 28.4 | 168.1 | 22.2 x 8  | 127.0 | 1.6 | 200.0 | 235.0 | 400.0 |
| 4" | 100.0 | 254.0 | 31.8 | 200.0 | 22.2 x 8  | 157.2 | 1.6 | 250.0 | 244.0 | 850.0 |
| 6" | 150.0 | 317.5 | 36.6 | 269.7 | 22.2 x 12 | 215.9 | 1.6 | 300.0 | 280.0 | 930.0 |