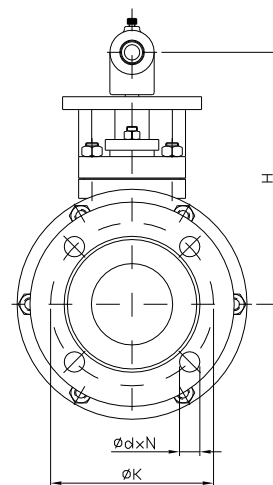
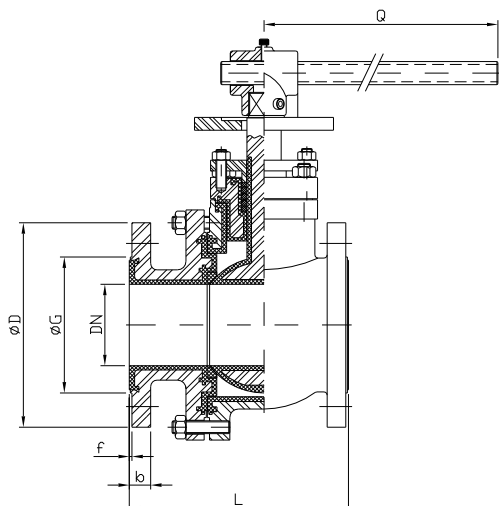


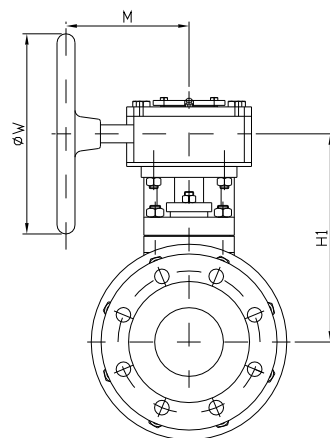
ST-826

- ➡ VÁLVULA DE ESFERA - 2 VIAS - TOTAL REVESTIDA - ANSI 150 / 300
- ➡ ACIONADA POR ALAVANCA, REDUTOR MANUAL, ELÉTRICO OU ATUADOR PNEUMÁTICO



Construção: *API 6D*
Extremidades: *ANSI B 16.5*
Face a face: *ANSI B 16.10*

LEGENDA												
<input type="checkbox"/>	PADRÃO											
<input type="checkbox"/>	SOB ENCOMENDA											
	<input type="checkbox"/>	<input type="checkbox"/>	<input type="checkbox"/>	<input type="checkbox"/>	<input type="checkbox"/>	<input type="checkbox"/>	<input type="checkbox"/>	<input type="checkbox"/>	<input type="checkbox"/>	<input type="checkbox"/>	<input type="checkbox"/>	<input type="checkbox"/>
CORPO	<input type="checkbox"/>	<input type="checkbox"/>	<input type="checkbox"/>	<input type="checkbox"/>	<input type="checkbox"/>	<input type="checkbox"/>	<input type="checkbox"/>	<input type="checkbox"/>	<input type="checkbox"/>	<input type="checkbox"/>	<input type="checkbox"/>	<input type="checkbox"/>
TAMPA	<input type="checkbox"/>	<input type="checkbox"/>	<input type="checkbox"/>	<input type="checkbox"/>	<input type="checkbox"/>	<input type="checkbox"/>	<input type="checkbox"/>	<input type="checkbox"/>	<input type="checkbox"/>	<input type="checkbox"/>	<input type="checkbox"/>	<input type="checkbox"/>
ESFERA	<input type="checkbox"/>	<input type="checkbox"/>	<input type="checkbox"/>	<input type="checkbox"/>	<input type="checkbox"/>	<input type="checkbox"/>	<input type="checkbox"/>	<input type="checkbox"/>	<input type="checkbox"/>	<input type="checkbox"/>	<input type="checkbox"/>	<input type="checkbox"/>
PREME GAXETA	<input type="checkbox"/>	<input type="checkbox"/>	<input type="checkbox"/>	<input type="checkbox"/>	<input type="checkbox"/>	<input type="checkbox"/>	<input type="checkbox"/>	<input type="checkbox"/>	<input type="checkbox"/>	<input type="checkbox"/>	<input type="checkbox"/>	<input type="checkbox"/>
LANTERNA	<input type="checkbox"/>	<input type="checkbox"/>	<input type="checkbox"/>	<input type="checkbox"/>	<input type="checkbox"/>	<input type="checkbox"/>	<input type="checkbox"/>	<input type="checkbox"/>	<input type="checkbox"/>	<input type="checkbox"/>	<input type="checkbox"/>	<input type="checkbox"/>
REVESTIMENTO CORPO/ ESFERA	<input type="checkbox"/>	<input type="checkbox"/>	<input type="checkbox"/>	<input type="checkbox"/>	<input type="checkbox"/>	<input type="checkbox"/>	<input type="checkbox"/>	<input type="checkbox"/>	<input type="checkbox"/>	<input type="checkbox"/>	<input type="checkbox"/>	<input type="checkbox"/>
GAXETA	<input type="checkbox"/>	<input type="checkbox"/>	<input type="checkbox"/>	<input type="checkbox"/>	<input type="checkbox"/>	<input type="checkbox"/>	<input type="checkbox"/>	<input type="checkbox"/>	<input type="checkbox"/>	<input type="checkbox"/>	<input type="checkbox"/>	<input type="checkbox"/>
VEDAÇÃO DO CORPO	<input type="checkbox"/>	<input type="checkbox"/>	<input type="checkbox"/>	<input type="checkbox"/>	<input type="checkbox"/>	<input type="checkbox"/>	<input type="checkbox"/>	<input type="checkbox"/>	<input type="checkbox"/>	<input type="checkbox"/>	<input type="checkbox"/>	<input type="checkbox"/>
ALAVANCA	<input type="checkbox"/>	<input type="checkbox"/>	<input type="checkbox"/>	<input type="checkbox"/>	<input type="checkbox"/>	<input type="checkbox"/>	<input type="checkbox"/>	<input type="checkbox"/>	<input type="checkbox"/>	<input type="checkbox"/>	<input type="checkbox"/>	<input type="checkbox"/>
PRISIONEIRO TIPO ESTOJO	<input type="checkbox"/>	<input type="checkbox"/>	<input type="checkbox"/>	<input type="checkbox"/>	<input type="checkbox"/>	<input type="checkbox"/>	<input type="checkbox"/>	<input type="checkbox"/>	<input type="checkbox"/>	<input type="checkbox"/>	<input type="checkbox"/>	<input type="checkbox"/>



ANSI 150

DN	LW	øD	b	K	d X N	G	f	L	ALAVANCA		REDUTOR MANUAL		
									H	Q	H1	øW	M
1/2"	15.0	88.9	11.1	60.5	15.9 x 4	35.0	3.0	107.9	115.0	180.0	-*-	-*-	-*-
3/4"	20.0	98.6	12.7	69.9	15.9 x 4	42.9	3.0	117.5	115.0	180.0	-*-	-*-	-*-
1"	25.0	108.0	14.3	79.2	15.9 x 4	50.8	3.0	127.0	120.0	260.0	-*-	-*-	-*-
1.1/4"	32.0	117.4	15.9	88.9	15.9 x 4	63.5	3.0	139.7	130.0	260.0	-*-	-*-	-*-
1.1/2"	40.0	127.0	17.5	98.6	15.9 x 4	73.2	3.0	165.1	165.0	360.0	-*-	-*-	-*-
2"	50.0	152.4	19.0	120.7	19.1 x 4	92.1	3.0	177.8	175.0	360.0	-*-	-*-	-*-
2.1/2"	65.0	177.8	22.2	139.7	19.1 x 4	104.7	3.0	190.5	230.0	400.0	-*-	-*-	-*-
3"	80.0	190.5	23.8	152.4	19.1 x 4	127.0	3.0	203.2	245.0	400.0	-*-	-*-	-*-
4"	100.0	228.6	23.8	190.5	19.1 x 8	157.2	3.0	228.6	265.0	600.0	245.0	170.0	197.0
5"	125.0	254.0	23.8	215.9	22.2 x 8	185.7	3.0	355.6	300.0	600.0	265.0	170.0	197.0
6"	150.0	279.4	25.4	241.3	22.2 x 8	215.9	3.0	266.7	330.0	600.0	335.0	250.0	210.0
8"	202.0	342.9	28.6	298.5	22.2 x 8	269.7	3.0	292.2	-*-	-*-	410.0	350.0	210.0
10"	252.0	406.4	30.2	361.9	25.4 x 12	323.8	3.0	330.2	-*-	-*-	455.0	350.0	220.0

ANSI 300

DN	LW	øD	b	K	d X N	G	f	L	ALAVANCA		REDUTOR MANUAL		
									H	Q	H1	øW	M
1/2"	15.0	95.3	14.2	66.7	15.9 x 4	35.0	3.0	139.7	115.0	180.0	-*-	-*-	-*-
3/4"	20.0	117.3	15.7	82.6	19.1 x 4	42.9	3.0	152.4	115.0	180.0	-*-	-*-	-*-
1"	25.0	124.0	17.5	88.9	19.1 x 4	50.8	3.0	165.1	120.0	260.0	-*-	-*-	-*-
1.1/4"	32.0	133.4	19.1	98.4	19.1 x 4	63.5	3.0	177.8	130.0	260.0	-*-	-*-	-*-
1.1/2"	40.0	155.6	20.6	114.3	22.2 x 4	73.2	3.0	190.5	165.0	360.0	-*-	-*-	-*-
2"	50.0	165.1	22.2	127.0	19.1 x 8	92.1	3.0	215.9	175.0	360.0	-*-	-*-	-*-
2.1/2"	65.0	190.5	25.4	149.2	22.2 x 8	104.7	3.0	241.3	230.0	400.0	-*-	-*-	-*-
3"	80.0	209.6	28.6	168.1	22.2 x 8	127.0	3.0	282.5	245.0	400.0	-*-	-*-	-*-
4"	100.0	254.0	31.8	200.0	22.2 x 8	157.2	3.0	304.8	265.0	600.0	245.0	170.0	197.0
6"	150.0	317.5	36.6	269.7	22.2 x 12	215.9	3.0	403.4	330.0	600.0	335.0	250.0	210.0
8"	202.0	381.0	41.3	330.2	25.4 x 12	269.7	3.0	419.1	-*-	-*-	410.0	350.0	210.0
10"	252.0	444.5	47.6	387.4	28.4 x 16	323.8	3.0	533.4	-*-	-*-	455.0	350.0	220.0