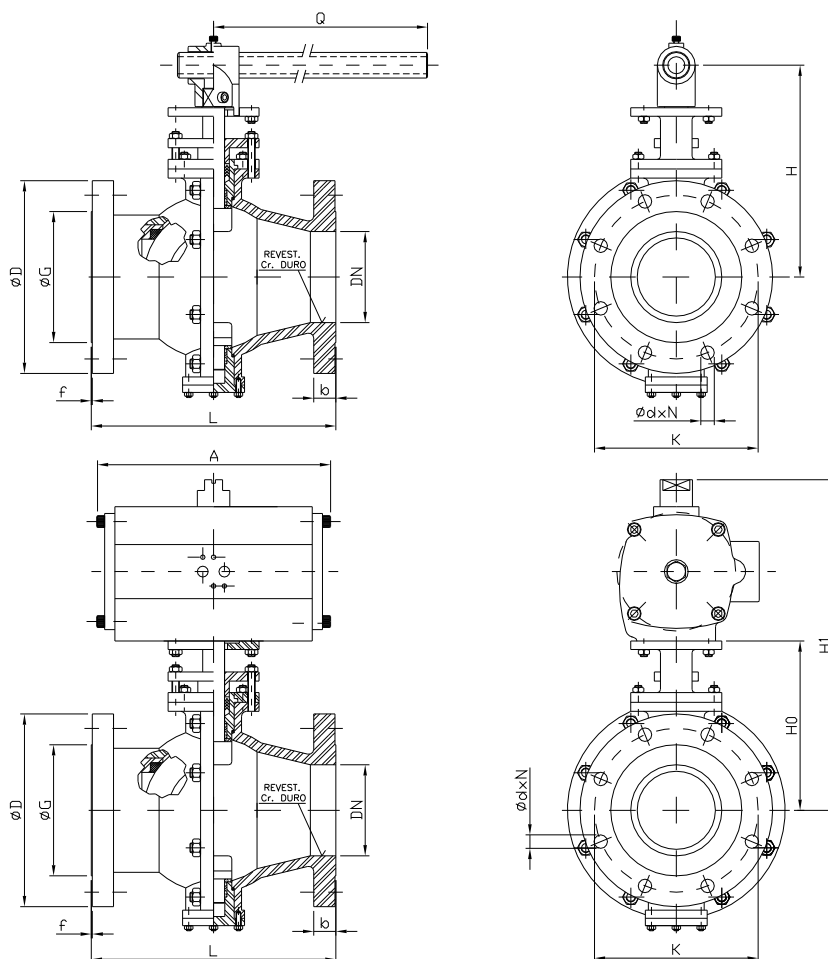


ST-870

- ➡ VÁLVULA DE SEMI - ESFERA - 2 VIAS - ANSI 150 / 300
- ➡ ACIONADA POR ALAVANCA, REDUTOR MANUAL, ELÉTRICO OU ATUADOR PNEUMÁTICO



ANSI 150

DN	LW	ØD	b	K	d X N	G	f	L	ALAVANCA		ATUADOR		
									H	Q	H0	H1	A
1/2"	15.0	88.9	11.1	60.5	15.9 x 4	35.0	1.6	108.0	145.0	180.0	115.0	211.0	130.0
3/4"	18.0	98.6	12.7	69.9	15.9 x 4	42.9	1.6	117.5	145.0	180.0	115.0	211.0	130.0
1"	25.0	108.0	14.3	79.2	15.9 x 4	50.8	1.6	127.0	152.0	260.0	120.0	231.0	144.0
1.1/4"	32.0	117.5	15.9	88.9	15.9 x 4	63.5	1.6	139.7	157.0	260.0	125.0	240.0	144.0
1.1/2"	40.0	127.0	17.5	98.6	15.9 x 4	73.2	1.6	165.1	190.0	360.0	150.0	287.0	162.0
2"	50.0	152.4	19.0	120.7	19.1 x 4	92.1	1.6	177.8	200.0	360.0	160.0	297.0	162.0
2.1/2"	65.0	177.8	22.2	139.7	19.1 x 4	104.7	1.6	190.5	230.0	400.0	185.0	331.0	182.0
3"	80.0	190.5	23.8	152.4	19.1 x 4	127.0	1.6	203.2	252.0	400.0	205.0	370.0	211.0
4"	100.0	228.6	23.8	190.5	19.1 x 8	157.2	1.6	228.6	262.0	600.0	220.0	402.0	245.0
5"	125.0	254.0	23.8	215.9	22.2 x 8	185.7	1.6	350.0	315.0	600.0	260.0	459.0	275.0
6"	150.0	279.4	25.4	241.3	22.2 x 8	215.9	1.6	393.8	330.0	600.0	275.0	474.0	275.0
8"	200.0	342.9	28.6	298.5	22.2 x 8	269.7	1.6	457.2	--*	--*	345.0	625.0	462.0
10"	250.0	406.4	30.2	361.9	25.4 x 12	323.8	1.6	533.4	--*	--*	405.0	685.0	462.0
12"	300.0	482.6	31.8	431.8	25.4 x 12	381.0	1.6	609.6	--*	--*	435.0	822.0	375.0

ANSI 300

DN	LW	ØD	b	K	d X N	G	f	L	ALAVANCA		ATUADOR		
									H	Q	H0	H1	A
1/2"	15.0	95.3	14.2	66.7	15.9 x 4	35.0	1.6	139.7	145.0	180.0	115.0	211.0	130.0
3/4"	18.0	117.3	15.7	82.6	19.1 x 4	42.9	1.6	152.4	145.0	180.0	115.0	211.0	130.0
1"	25.0	124.0	17.5	88.9	19.1 x 4	50.8	1.6	165.1	152.0	260.0	120.0	231.0	144.0
1.1/4"	32.0	133.4	19.1	98.4	19.1 x 4	63.5	1.6	177.8	157.0	260.0	125.0	240.0	144.0
1.1/2"	40.0	155.6	20.6	114.3	22.2 x 4	73.2	1.6	190.5	190.0	360.0	150.0	287.0	162.0
2"	50.0	165.1	22.2	127.0	19.1 x 8	92.1	1.6	215.9	200.0	360.0	160.0	297.0	162.0
2.1/2"	65.0	190.5	25.4	149.2	22.2 x 8	104.7	1.6	241.3	230.0	400.0	185.0	331.0	182.0
3"	80.0	209.6	28.6	168.1	22.2 x 8	127.0	1.6	282.6	252.0	400.0	205.0	370.0	211.0
4"	100.0	254.0	31.8	200.0	22.2 x 8	157.2	1.6	304.8	262.0	600.0	220.0	402.0	245.0
5"	125.0	279.4	35.1	235.0	22.2 x 8	185.7	1.6	350.0	315.0	600.0	260.0	459.0	275.0
6"	150.0	317.5	36.6	269.7	22.2 x 12	215.9	1.6	403.2	330.0	600.0	275.0	474.0	275.0
8"	200.0	381.0	41.1	330.2	25.4 x 12	269.8	1.6	419.1	--*	--*	345.0	625.0	462.0
10"	250.0	444.5	47.8	387.4	28.4 x 16	323.8	1.6	457.2	--*	--*	405.0	685.0	462.0
12"	300.0	520.7	50.8	450.9	31.8 x 16	381.0	1.6	501.6	--*	--*	435.0	822.0	375.0