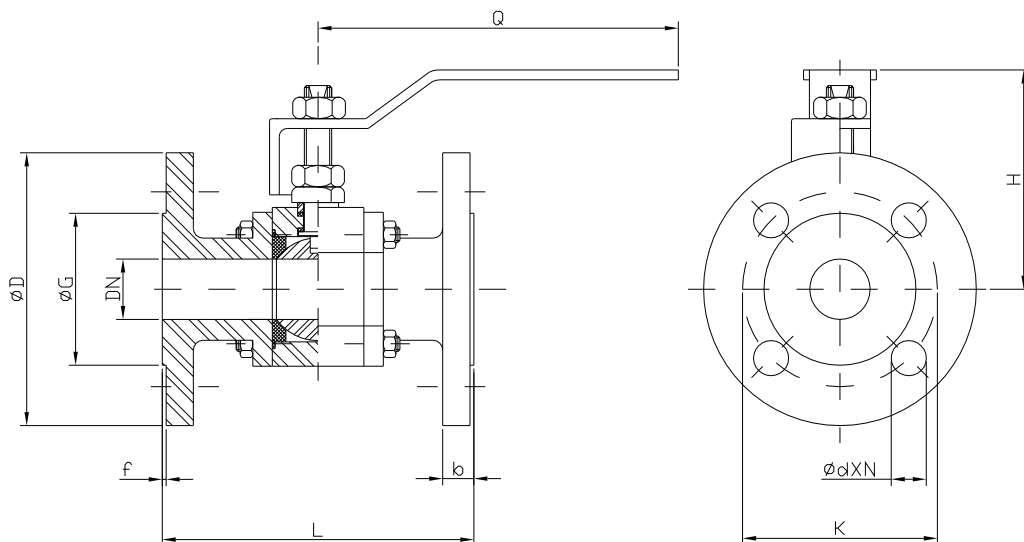


ST-884 / 885

- ➡ VÁLVULA DE ESFERA - 2 VIAS - TRIPARTIDA - ANSI / DIN
- ➡ ACIONADA POR ALAVANCA, REDUTOR MANUAL, ELÉTRICO OU ATUADOR PNEUMÁTICO

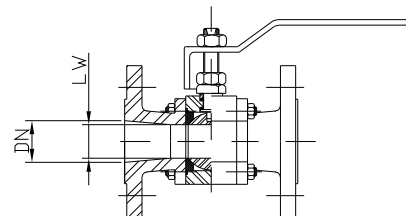


VÁLVULAS INDUSTRIAIS



ST-885 PASSAGEM REDUZIDA

Construção: API 6D
Extremidades: ANSI B 16.5
Face a face: ANSI B 16.10



ST-884 ANSI 150 - PASSAGEM PLENA

DN	LW	ØD	b	K	d X N	G	f	L	H	Q
1/2"	15.0	88.9	11.1	60.5	15.9 x 4	35.0	1.6	107.9	86.0	113.0
3/4"	20.0	98.6	12.7	69.9	15.9 x 4	42.9	1.6	117.5	86.0	146.0
1"	25.0	108.0	14.3	79.2	15.9 x 4	50.8	1.6	127.0	97.5	146.0
1.1/4"	30.0	117.4	15.9	88.9	15.9 x 4	63.5	1.6	139.7	105.0	178.0
1.1/2"	40.0	127.0	17.5	98.6	15.9 x 4	73.2	1.6	165.1	117.0	178.0
2"	50.0	152.4	19.0	120.7	19.1 x 4	92.1	1.6	177.8	125.5	230.0
2.1/2"	65.0	177.8	22.2	139.7	19.1 x 4	104.7	1.6	190.5	161.0	230.0

ST-884 ANSI 300 - PASSAGEM PLENA

DN	LW	ØD	b	K	d X N	G	f	L	H	Q
1/2"	15.0	95.3	14.2	66.7	15.9 x 4	35.0	1.6	139.7	86.0	113.0
3/4"	20.0	117.3	15.7	82.6	19.1 x 4	42.9	1.6	152.4	86.0	146.0
1"	25.0	124.0	17.5	88.9	19.1 x 4	50.8	1.6	165.1	97.5	146.0
1.1/4"	30.0	133.4	19.1	98.4	19.1 x 4	63.5	1.6	177.8	105.0	178.0
1.1/2"	40.0	155.6	20.6	114.3	22.2 x 4	73.2	1.6	190.5	117.0	178.0
2"	50.0	165.1	22.2	127.0	19.1 x 8	92.1	1.6	215.9	125.5	230.0
2.1/2"	65.0	190.5	25.4	149.2	22.2 x 8	104.7	1.6	241.3	161.0	230.0

ST-885 ANSI 150 - PASSAGEM REDUZIDA

DN	LW	ØD	b	K	d X N	G	f	L	H	Q
1/2"	12.0	88.9	11.1	60.5	15.9 x 4	35.0	1.6	107.9	86.0	113.0
3/4"	15.0	98.6	12.7	69.9	15.9 x 4	42.9	1.6	117.5	86.0	146.0
1"	20.0	108.0	14.3	79.2	15.9 x 4	50.8	1.6	127.0	97.5	146.0
1.1/4"	25.0	117.4	15.9	88.9	15.9 x 4	63.5	1.6	139.7	105.0	178.0
1.1/2"	30.0	127.0	17.5	98.6	15.9 x 4	73.2	1.6	165.1	117.0	178.0
2"	38.0	152.4	19.0	120.7	19.1 x 4	92.1	1.6	177.8	125.5	230.0
2.1/2"	50.0	177.8	22.2	139.7	19.1 x 4	104.7	1.6	190.5	161.0	230.0
3"	65.0	190.5	22.2	152.4	19.1 x 4	127.0	1.6	203.2	161.0	230.0