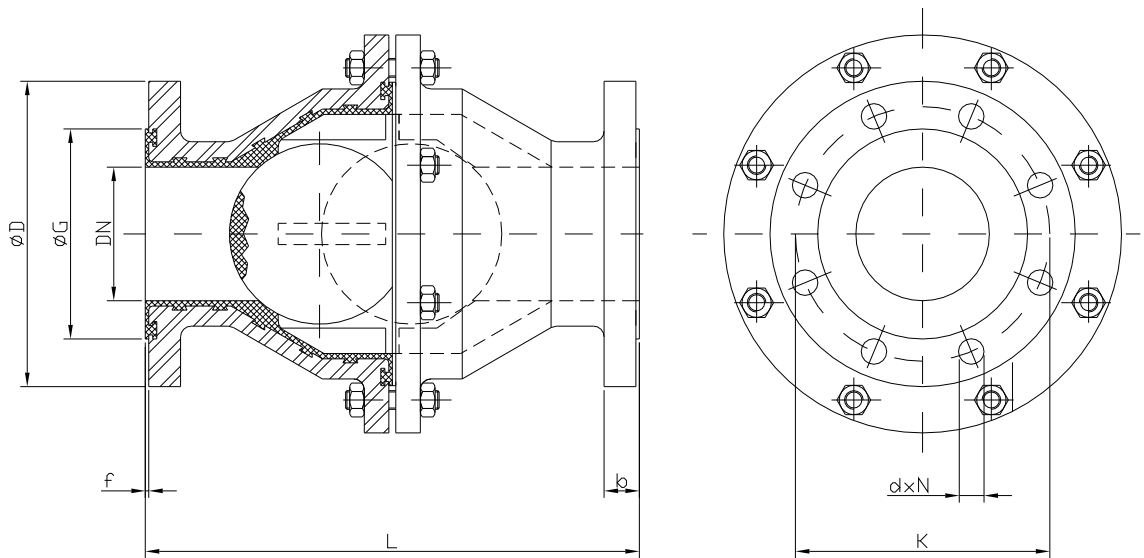


ST-890

➡ RETENÇÃO TIPO ESFERA - 2 VIAS - REVESTIDA - ANSI / DIN



VÁLVULAS INDUSTRIAIS



OBS: INCLINAÇÃO DE 30° MÍNIMO PARA OPERAÇÃO NA HORIZONTAL.

LEGENDA																					
<input type="checkbox"/>	PADRÃO	<input type="checkbox"/>	<input type="checkbox"/>	<input type="checkbox"/>	<input type="checkbox"/>	<input type="checkbox"/>	<input type="checkbox"/>	<input type="checkbox"/>	<input type="checkbox"/>	<input type="checkbox"/>	<input type="checkbox"/>	<input type="checkbox"/>	<input type="checkbox"/>	<input type="checkbox"/>	<input type="checkbox"/>	<input type="checkbox"/>	<input type="checkbox"/>	<input type="checkbox"/>	<input type="checkbox"/>	<input type="checkbox"/>	<input type="checkbox"/>
<input type="checkbox"/>	CORPO	<input type="checkbox"/>	<input type="checkbox"/>	<input type="checkbox"/>	<input type="checkbox"/>	<input type="checkbox"/>	<input type="checkbox"/>	<input type="checkbox"/>	<input type="checkbox"/>	<input type="checkbox"/>	<input type="checkbox"/>	<input type="checkbox"/>	<input type="checkbox"/>	<input type="checkbox"/>	<input type="checkbox"/>	<input type="checkbox"/>	<input type="checkbox"/>	<input type="checkbox"/>	<input type="checkbox"/>	<input type="checkbox"/>	<input type="checkbox"/>
<input type="checkbox"/>	ESFERA	<input type="checkbox"/>	<input type="checkbox"/>	<input type="checkbox"/>	<input type="checkbox"/>	<input type="checkbox"/>	<input type="checkbox"/>	<input type="checkbox"/>	<input type="checkbox"/>	<input type="checkbox"/>	<input type="checkbox"/>	<input type="checkbox"/>	<input type="checkbox"/>	<input type="checkbox"/>	<input type="checkbox"/>	<input type="checkbox"/>	<input type="checkbox"/>	<input type="checkbox"/>	<input type="checkbox"/>	<input type="checkbox"/>	<input type="checkbox"/>
<input type="checkbox"/>	REVESTIMENTO CORPO	<input type="checkbox"/>	<input type="checkbox"/>	<input type="checkbox"/>	<input type="checkbox"/>	<input type="checkbox"/>	<input type="checkbox"/>	<input type="checkbox"/>	<input type="checkbox"/>	<input type="checkbox"/>	<input type="checkbox"/>	<input type="checkbox"/>	<input type="checkbox"/>	<input type="checkbox"/>	<input type="checkbox"/>	<input type="checkbox"/>	<input type="checkbox"/>	<input type="checkbox"/>	<input type="checkbox"/>	<input type="checkbox"/>	<input type="checkbox"/>
<input type="checkbox"/>	PRISIONEIRO TIPO ESTOJO	<input type="checkbox"/>	<input type="checkbox"/>	<input type="checkbox"/>	<input type="checkbox"/>	<input type="checkbox"/>	<input type="checkbox"/>	<input type="checkbox"/>	<input type="checkbox"/>	<input type="checkbox"/>	<input type="checkbox"/>	<input type="checkbox"/>	<input type="checkbox"/>	<input type="checkbox"/>	<input type="checkbox"/>	<input type="checkbox"/>	<input type="checkbox"/>	<input type="checkbox"/>	<input type="checkbox"/>	<input type="checkbox"/>	<input type="checkbox"/>

FLANGES CONFORME DIN 2633 – PN 16 / 40

DN	ØD	b		K	d X N	G	f	L
		PN16	PN40					
15.0	95.0	14.0	16.0	65.0	14.0 x 4	45.0	3.0	115.0
20.0	105.0	16.0	18.0	75.0	18.0 x 4	58.0	3.0	120.0
25.0	115.0	16.0	18.0	85.0	14.0 x 4	68.0	3.0	125.0
40.0	150.0	16.0	18.0	110.0	18.0 x 4	88.0	3.0	140.0
50.0	165.0	18.0	20.0	125.0	18.0 x 4	102.0	3.0	150.0
65.0	185.0	18.0	22.0	145.0	18.0 x 4	122.0	3.0	170.0
80.0	200.0	20.0	24.0	160.0	18.0 x 8	138.0	3.0	180.0
100.0	220.0	20.0	24.0	180.0	18.0 x 8	158.0	3.0	190.0

FLANGES CONFORME ANSI B 16.5 – ANSI 150

DN	ØD	b	K	d X N	G	f	L
1/2"	88.9	11.1	605	15.9 x 4	35.0	3.0	108.0
3/4"	98.6	12.7	69.9	15.9 x 4	42.9	3.0	117.5
1"	108.0	14.3	79.2	15.9 x 4	50.8	3.0	127.0
1.1/2"	127.0	17.5	98.6	15.9 x 4	73.2	3.0	165.1
2"	152.4	19.0	120.7	19.1 x 4	92.1	3.0	177.8
2.1/2"	177.8	22.2	139.7	19.1 x 4	104.7	3.0	190.5
3"	190.5	23.8	152.4	19.1 x 4	127.0	3.0	203.2
4"	228.6	23.8	190.5	19.1 x 8	157.2	3.0	228.6