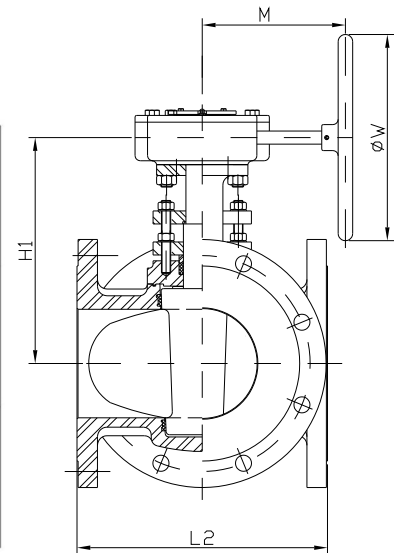
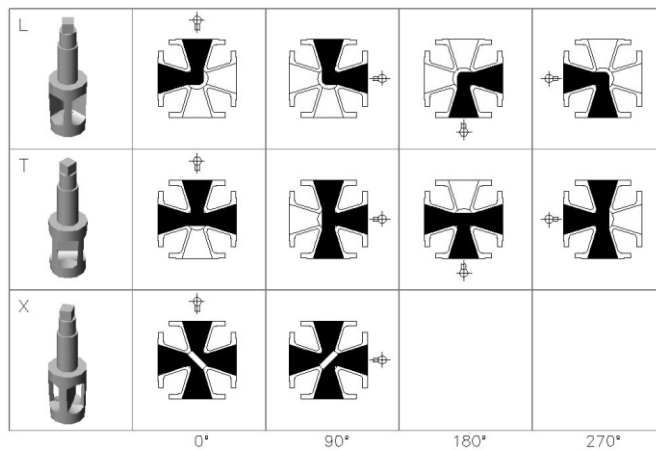
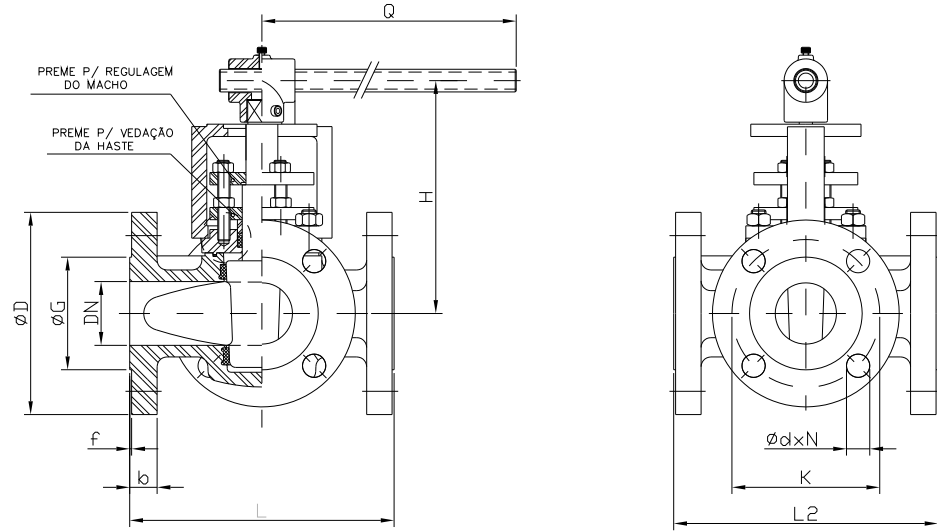


ST-990

- ➡ VÁLVULA MACHO - 4 VIAS - HORIZONTAL - ANSI 150 / 300
- ➡ ACIONADA POR ALAVANCA, REDUTOR MANUAL, ELÉTRICO OU ATUADOR PNEUMÁTICO



VÁLVULAS INDUSTRIAIS



ANSI 150

DN	ØD	b	K	d X N	G	f	L	L2	ALAVANCA		REDUTOR MANUAL		
									H	Q	H1	ØW	M
1"	108.0	14.3	79.2	15.9 x 4	50.8	1.6	127.0	127.0	137.5	260.0	-*-	-*-	-*-
1.1/2"	127.0	17.5	98.6	15.9 x 4	73.2	1.6	165.1	165.1	147.5	360.0	-*-	-*-	-*-
2"	152.4	19.0	120.7	19.1 x 4	92.1	1.6	177.8	177.8	194.0	430.0	-*-	-*-	-*-
2.1/2"	177.8 (1)	22.2	139.7	19.1 x 4	104.7	1.6	203.2 (1)	260.4	230.0	430.0	-*-	-*-	-*-
3"	190.5	23.8	152.4	19.1 x 4	127.0	1.6	203.2	260.4	230.0	430.0	-*-	-*-	-*-
4"	228.6	23.8	190.5	19.1 x 8	157.2	1.6	228.6	304.8	256.0	600.0	222.5	170.0	200.0

ANSI 300

DN	ØD	b	K	d X N	G	f	L	L2	ALAVANCA		REDUTOR MANUAL		
									H	Q	H1	ØW	M
1"	124.0	17.5	88.9	19.1 x 4	50.8	1.6	165.1	165.1	137.5	260.0	-*-	-*-	-*-
1.1/2"	155.6	20.6	114.3	22.2 x 4	73.2	1.6	190.5	190.5	147.5	360.0	-*-	-*-	-*-
2"	165.1	22.2	127.0	19.1 x 8	92.1	1.6	215.9	215.9	194.0	430.0	-*-	-*-	-*-
2.1/2"	190.5 (1)	28.4	149.2	22.2 x 8	104.7	1.6	282.6 (1)	282.6	230.0	430.0	-*-	-*-	-*-
3"	209.6	28.6	168.1	22.2 x 8	127.0	1.6	282.6	282.6	230.0	430.0	-*-	-*-	-*-
4"	254.0	31.8	200.0	22.2 x 8	157.2	1.6	304.8	304.8	256.0	600.0	222.5	170.0	200.0

NOTA: DN 2.1/2" - SÃO UTILIZADOS FUNDIDOS DN 3" COM FLANGES USINADOS PARA 2.1/2".